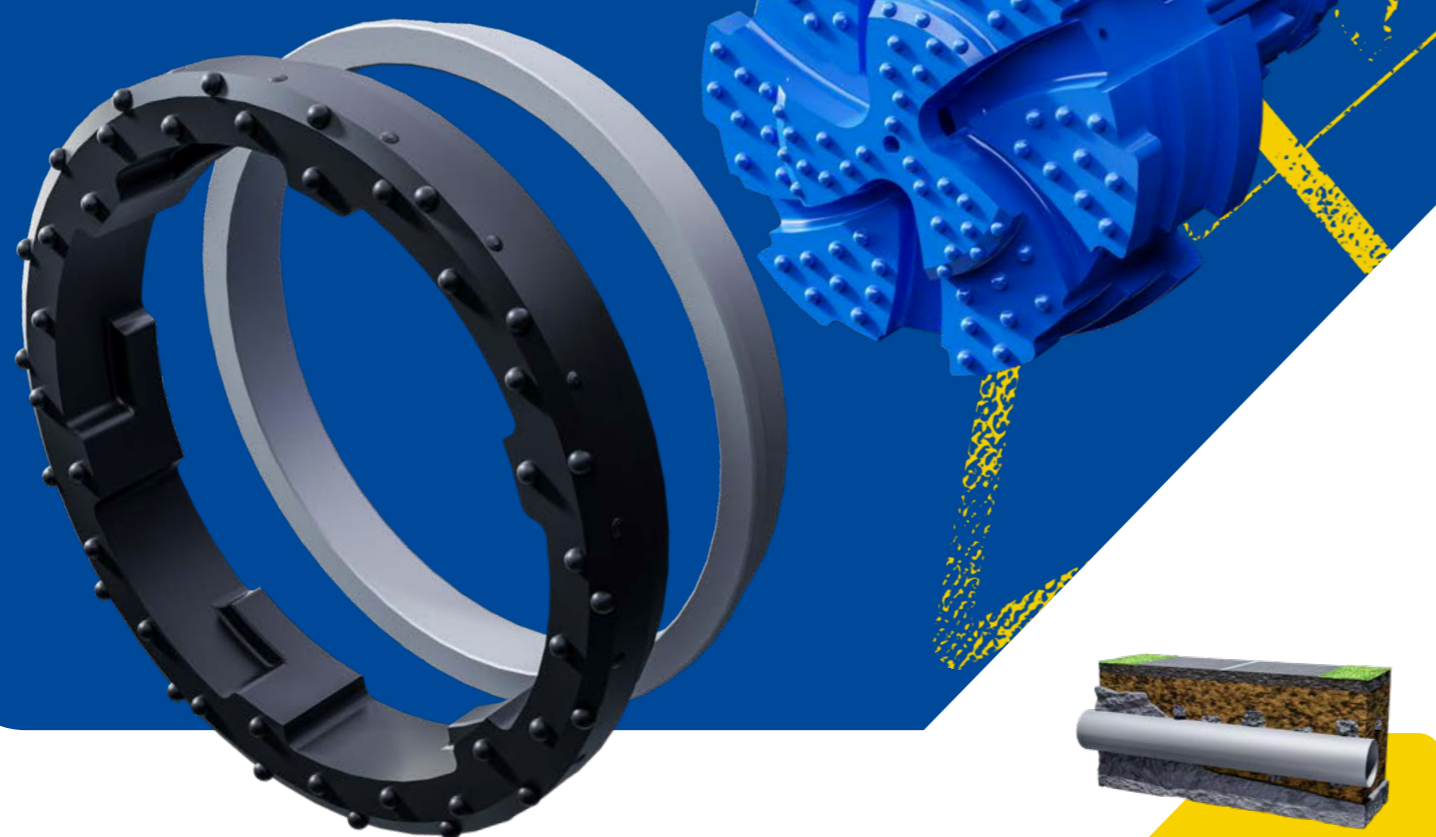
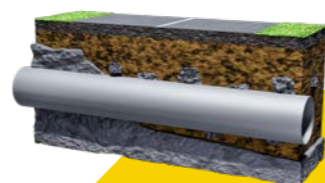
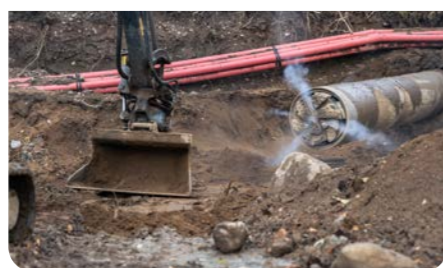


HORIZONTAL RING BIT SYSTEM



Horizontal ring bit system is made for horizontal drilling of utility lines.

High casing friction calls for heavy duty ring bit system and drilling under roads and railways requires advanced air control made possible by Spiral Flush technology. Due to strong design, the ring bit system can be used several times.

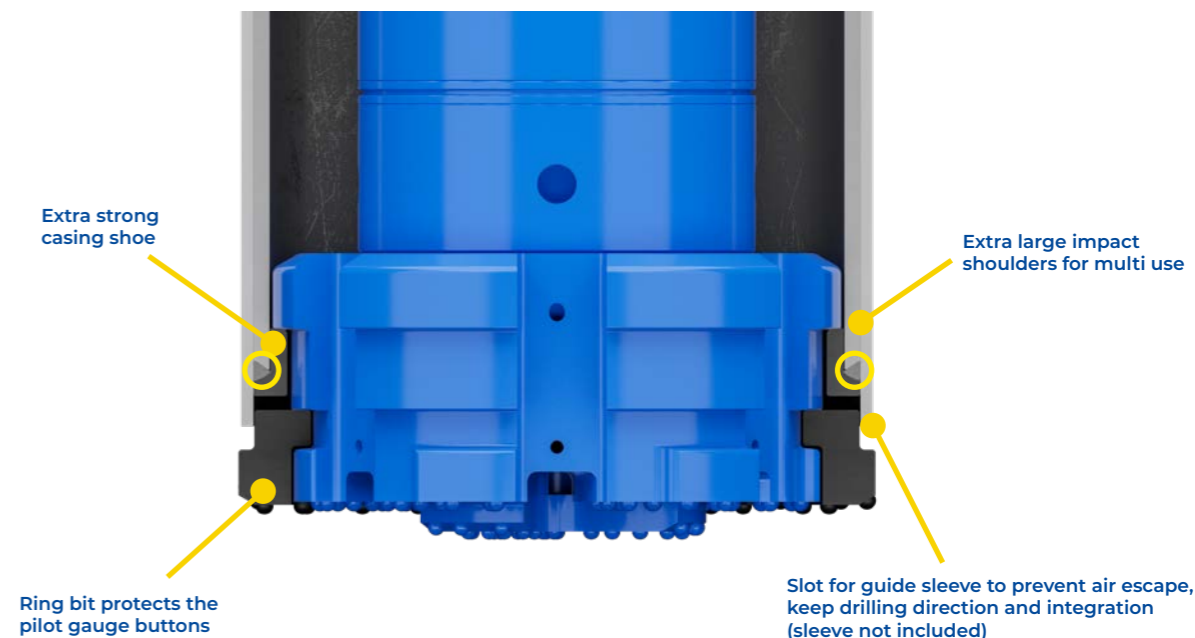


MAIN APPLICATIONS

- Horizontal drilling of utility lines
- Road and railway underpasses
- Replacing of concrete culverts
- HDD surface casings
- All break through drilling



HORIZONTAL SYSTEM 219-1 524 mm



○ = Welding spot

System is available for all major shank designs.

SPIRALFLUSH®

System product code	Casing OD mm	Casing OD inch	Max wall mm	Max wall inch	Ring bit ID mm	Ring bit ID inch	Ring bit OD mm	Ring bit OD inch	Pilot bit OD mm	Pilot bit OD inch	Recommended hammer
HZ219-12.7-138	219.1	8.63"	12.7	0.5"	138	5.43"	240	9.45"	191	7.52"	MP60-MQ
HZ273-12.7-170	273	10.75"	12.7	0.5"	170	6.69"	295	11.61"	245	9.65"	MP80-MQ
HZ323-12.7-215	323.9	12.75"	12.7	0.5"	215	8.46"	350	13.78"	294	11.57"	MP100-MC
HZ406-12.7-300	406.4	16"	12.7	0.5"	300	11.81"	440	17.32"	376	14.80"	MP120-MC
HZ457-12.7-351	457.2	18"	12.7	0.5"	351	13.82"	491	19.33"	423	16.65"	MP120-MC
HZ508-12.7-400	508	20"	12.7	0.5"	400	15.75"	540	21.26"	477	18.78"	MP150-MC
HZ610-16-495	609.6	24"	16	0.63"	495	19.49"	640	25.20"	572	22.52"	MP180-MQ
HZ711-16-590	711.2	28"	16	0.63"	590	23.23"	740	29.13"	675	26.57"	MP240-MQ
HZ762-16-630	762	30"	16	0.63"	630	24.80"	792	31.18"	723	28.46"	MP240-MQ
HZ813-16-675	812.8	32"	16	0.63"	675	26.57"	845	33.27"	774	30.47"	MP240-MQ
HZ914-16-775	914.4	36"	16	0.63"	775	30.51"	945	37.20"	874	34.41"	MP240-MQ
HZ1016-16-860	1 016	40"	16	0.63"	860	33.86"	1 050	41.34"	974	38.35"	MP340
HZ1067-16-910	1 066.8	42"	16	0.63"	910	35.83"	1 100	43.31"	1 024	40.31"	MP340
HZ1219-20-1050*	1 219.2	48"	20	0.79"	1 050	41.34"	1 250	49.21"	1 176	46.30"	MP340
HZ1321-20-1150*	1 320.8	52"	20	0.79"	1 150	45.28"	1 353	53.27"	1 273	50.12"	MP400
HZ1422-20-1250*	1 422.4	56"	20	0.79"	1 250	49.21"	1 457	57.36"	1 366	53.78"	MP400
HZ1524-20-1340*	1 524	60"	20	0.79"	1 340	52.76"	1 560	61.42"	1 466	57.72"	MP400

*Large-diameter systems can be engineered based on the specific customer requirements.